

Portable Beverage Bar

Stainless Steel - Pre- Or Post-Mix Ready

Model 76889

Attractive Design For A Classic Presentation

Construction

- ▼ All-welded stainless steel with choice of laminate exterior

Features

- ▼ Ready for field installation of pre-mix or post-mix soda dispensing systems
- ▼ 70 lb. ice bin with built-in cold pan and drain
- ▼ Removable stainless steel speed rails
- ▼ Durable waterproof laminate top with convenient mixing shelf
- ▼ Stainless steel welded construction provides years of service life

Casters

- ▼ 5" non-marking, 2 each swivel with brake, 2 each fixed



Model 76889
shown with optional Post-Mix dispensing system and optional Bag-in Box rack kit.



Specifications

Shall be Geneva Model 76889 and shall be constructed of welded stainless steel for easy cleaning and sanitation. The exterior shall be durable laminate over stainless steel. The top shall be constructed of 1-1/4" (32 mm) thick, waterproof laminate with black finish. The top shall feature a recessed laminate mixing shelf. Stainless steel interior shall have compartments for dispensing mechanism, syrup and water. Interior shall have a generous work shelf with a 70 lb. (31 kg.) capacity ice bin with drain and built-in 10/12 circuit cold plate for water refrigeration. Syrup compartment shall accommodate bag-in-box or tank systems. Unit shall have two removable, 7-bottle stainless steel speed rails. Unit shall have 4 each, 5" casters - 2 swivel with brake and 2 fixed.

Geneva Designs, LLC

4900 West Electric Avenue • West Milwaukee, WI 53219 U.S.A.

800-870-2779 • 414-902-6400 • Fax 414-902-6446 • info@genevadesignsllc.com • www.genevadesignsllc.com

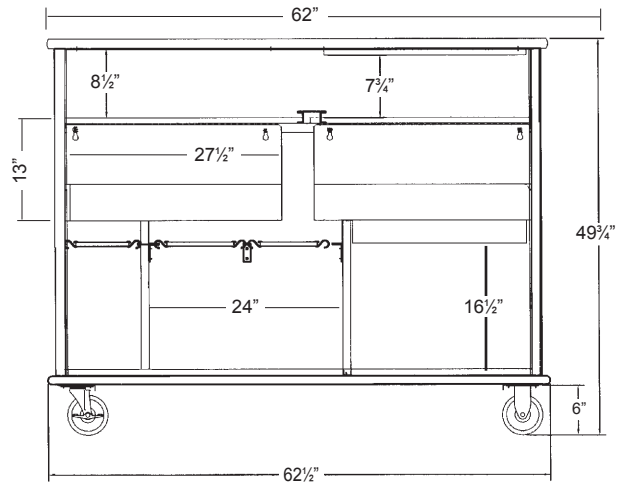
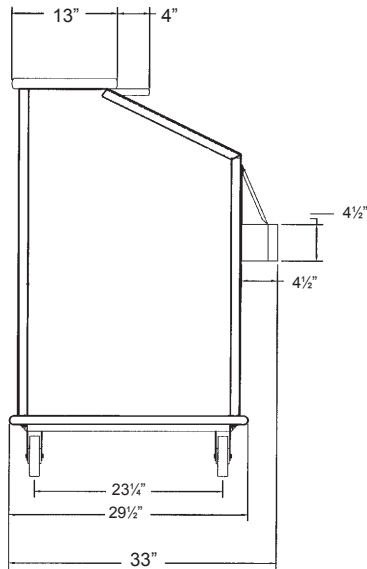
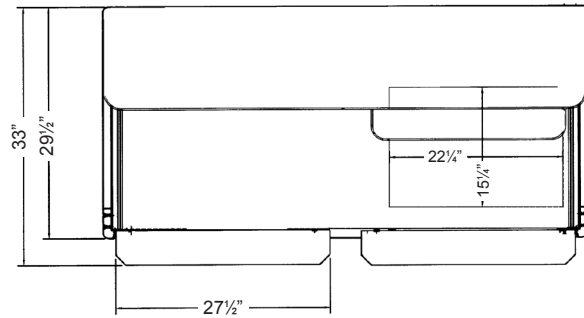
Portable Beverage Bar

Stainless Steel - Pre- Or Post-Mix Ready

Model 76889

AIA #

Spec. #



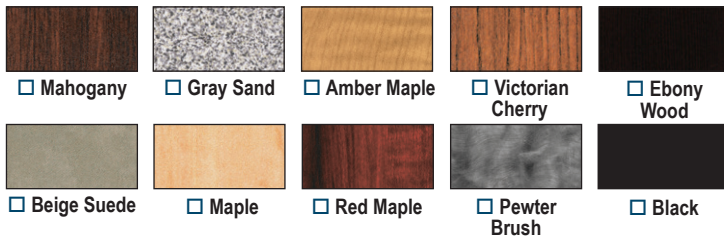
Product Information:

Model	Overall Size			Ice Capacity	Exterior Finish	Unit Wt. ¹ Lbs. (Kg)	Case Wt. ² Lbs. (Kg)
	W	D	H				
76889	62½"	29½"	49¾"	70 lb.	Laminate	420 (190)	565 (256)

¹Unit weight with dispensing system is 506 lb. (230 kg). ²Case weight with dispensing system is 651 lb. (295 kg).

Dimensions in () denote metric millimeters, unless otherwise noted.

Available Laminate Finishes



Optional Accessories

- Built-in Pre-mix system
- Built-in Post-mix system
- Bag-in-Box syrup rack kit
- Custom laminate exterior finish:

Custom Laminate Finishes Available.



Geneva Designs, LLC

4900 West Electric Avenue • West Milwaukee, WI 53219 U.S.A.
800-870-2779 • 414-902-6400 • Fax 414-902-6446
info@genevadesignsllc.com • www.genevadesignsllc.com